

# NOVA Wood multipurpose tables



## FEATURES

- Easy to assemble and disassemble - “metal to metal” construction;
- Three different heights of tabletop: 740 mm, 900 mm, 1050 mm;
- Six types of accessories are available for all tables.

## QUALITY STANDARD

- EN 1730:2012
- EN 15372:2016

## TECHNICAL INFORMATION

### Tabletops

- 1,5 mm gap between the legs and the desktop.

### MFC (melamine)

- 25 mm with 2 mm ABS edging;
- The corners of desktop are rounded: R2 mm.

### MDF covered in HPL

- 26 mm MDF covered in HPL with sloping painted edges;
- Sloping painted edges: white or black colour;
- The corners of desktop are rounded: R10 mm.

## Metal beam

- Metal tube;
- With welded metal plates for leg fixing;
- Powder coated metal.

## Legs and central leg

- Lacquered and stained natural ash solid wood;
- Glued wood construction;
- With metal inserts for fixing;
- Plastic feet with height levelling (+10 mm).

## Edge type

- ABS edge (melamine)
- Sloping edge (HPL)

## Accessories (optional)

### Top and bottom side shelves

- Powder coated metal;
- Different shelves are designed for two heights: 1100 mm; 1456 mm (from the ground);
- Can be easily removed or placed on different leg without any tools;
- Max load capacity: 10 kg per shelf.

### Planter box

- Powder coated metal;
- Can be easily removed or placed to a different position without any tools;
- Hang only on the top table crossbar;
- Not suitable for direct planting;
- Max load capacity: 10 kg per box.

## Cable tray (optional)

- Dimensions: 480x367, H=68 mm;
- Matches the colour of frame;
- Powder coated metal.

## Castors

- Four swivel castors, Ø100 mm;
- With wheel brakes;
- Rotate in all directions;
- Max load capacity: 100 kg per castor.
- Make sure that before relocating your table with castors, all electrical components are disconnected from the main power source and stacked into a cable tray.

### VESA Holder

- Powder coated metal;
- Suitable for TV and whiteboard;
- Can be easily removed or placed on different leg without any tools;
- Can be placed only in one height: 1373 mm (from the ground);
- VESA standard – 100x100 mm;
- VESA plate is made of 3 mm metal sheet (325x325 mm);
- Screen spacers is made of 40x20x2 mm tube;
- Recommended screen up to 42", weight up to 15 kg;
- Screws for screen fixing to VESA plate are NOT INCLUDED.

### Whiteboard

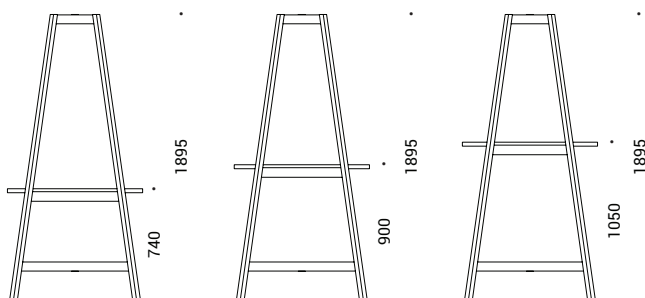
- 14 mm MDF covered in HPL with sloping painted edges;
- Can be easily removed or placed on different sides of legs.

### Hook

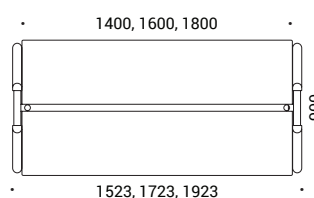
- Powder coated metal;
- Hang only on the top table crossbar;
- Max load capacity: 3 kg per hook.

## RANGE

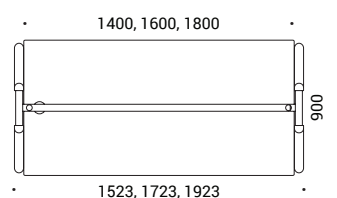
### Multipurpose tables



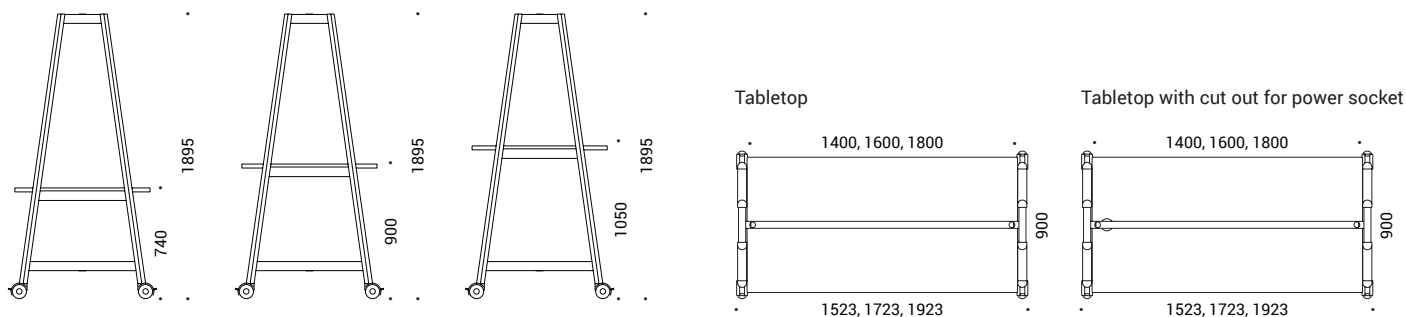
### Tabletop



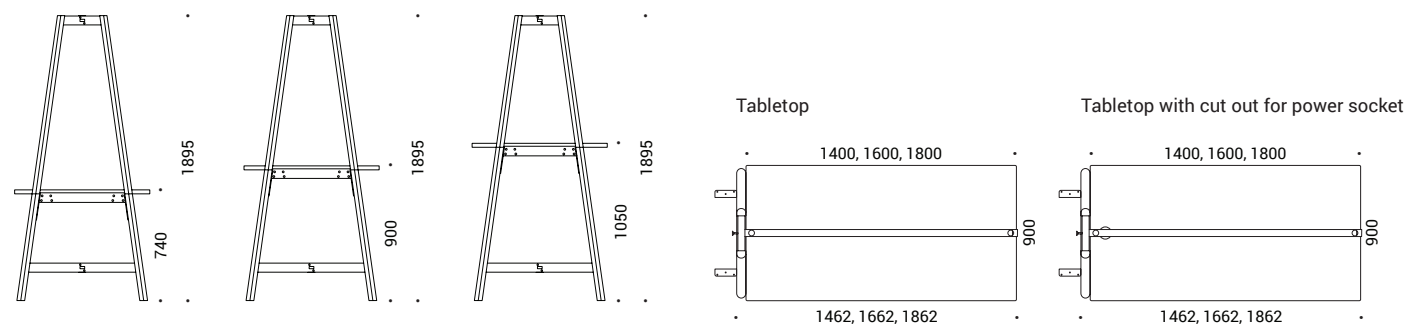
### Tabletop with cut out for power socket



## Multipurpose tables with castors



## Multipurpose table extensions (not possible with castors)



## Optional



AC power sockets



Power socket block



Cable tray



Cable ducts



Planter box



Top side shelves\*



Bottom side shelves\*



VESA holder



Whiteboard



Hook

\* Two different heights of shelves are available: 50 mm, 100 mm

## ADDITIONAL INFORMATION

- If you want to increase the number of workspaces, you can use max 2 supplementary units in one combination.



- It is possible to hang two shelves and holder on the same table leg and on different sides of legs.



- Easy way to place and remove shelves and holder.



- For more information about electrical components installation, please see cable management guidelines.